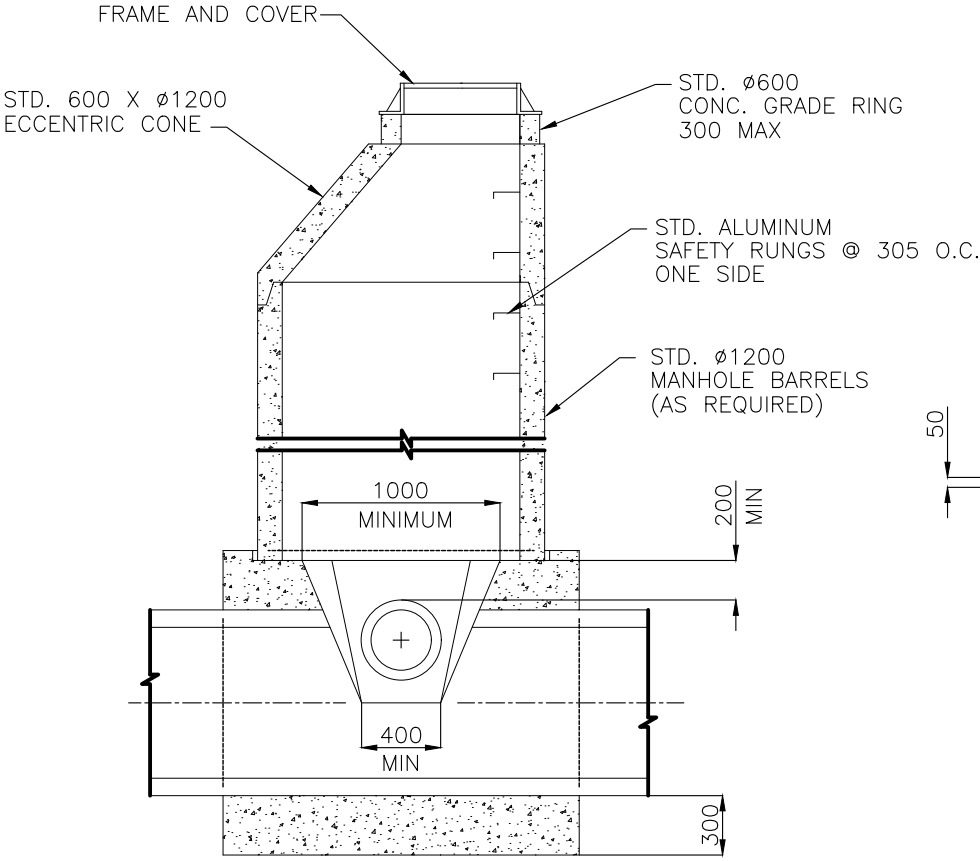
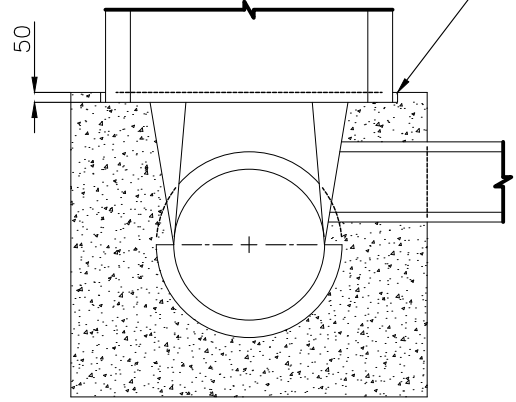


A	B (Max.)	C (Max.)
600	600	600
750	750	525
900	900	600

NOTE: IF C > C (MAX.) IN TABLE THEN SPECIAL DESIGN IS REQUIRED.

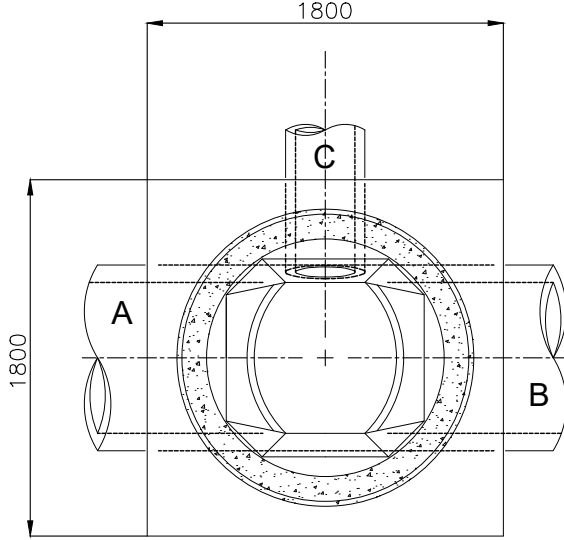


25 GROOVE ALL AROUND BARREL
FILL WITH SEALANT AS SPECIFIED



NOTES

1. ALL POURED IN PLACE CONCRETE TO BE 32MP_a SULPHATE RESISTANT
2. EXTERIOR DROP REQUIRED FOR SANITARY SEWERS WHEN INVERT OF INLET PIPE IS 750mm OR MORE ABOVE INVERT OF OUTLET PIPE
3. ALL PRECAST CONCRETE SECTIONS SHALL BE MANUFACTURED IN ACCORDANCE WITH A.S.T.M. SPECIFICATION C-478
4. ALL WALLS SHALL BE FORMED INSIDE AND OUTSIDE, AND POURED IN PLACE
5. SAFETY PLATFORM REQUIRED FOR MANHOLE DEPTHS GREATER THAN 6.0m. MAXIMUM SPACING OF PLATFORMS SHALL BE 6.0m



			CITY OF PRINCE ALBERT PUBLIC WORKS			APPROVED <i>Wes Hicks</i>		
			STANDARD MANHOLE PIPE SIZE Ø600mm TO Ø900mm			SCALE N.T.S.		
No.	DATE	REVISION	DRAWN S. NUMEDAHL	DESIGNED N. MILLER	DATE OCT. 2014	DWG. No. 00-01-04		