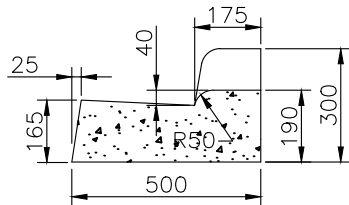
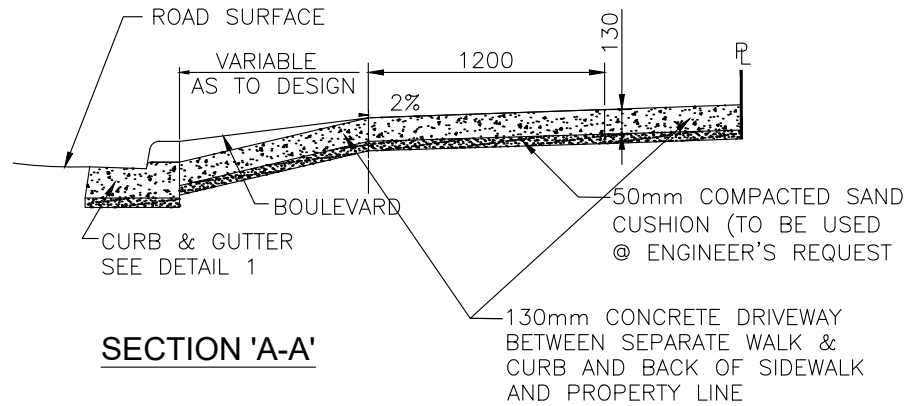


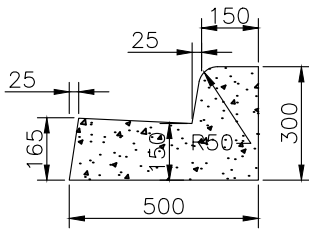
SEPARATE WALK, CURB & GUTTER CROSSING



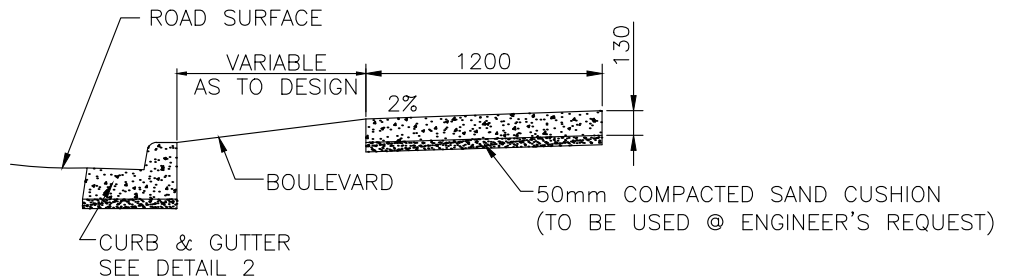
DETAIL 1



SECTION 'A-A'



DETAIL 2



SECTION 'B-B'

NOTES

1. CONCRETE COMPRESSIVE STRENGTH = 32 MPa
2. MAXIMUM AGGREGATE SIZE = 20mm
3. MAXIMUM SLUMP = 75mm
4. CONTRACTION JOINTS SHALL BE CONSTRUCTED IN INTERVALS OF 1500mm WITH GROOVES APPROXIMATELY 3mm IN WIDTH AND SHALL EXTEND 1/4 OF THE DEPTH OF THE STRUCTURE
5. SEPARATE WALK AT COMMERCIAL/INDUSTRIAL AND LANE CROSSINGS SHALL BE CONSTRUCTED 175mm IN WIDTH
6. CONTRACTION JOINTS SHALL BE CONSTRUCTED IN ALL CROSSINGS AT INTERVALS OF 4000mm OR AT THE CENTRE OF CROSSINGS 6000mm OR LESS IN WIDTH
7. ALL DIMENSIONS ARE GIVEN IN "mm" UNLESS OTHERWISE STATED

			CITY OF PRINCE ALBERT PUBLIC WORKS			APPROVED <i>Wes Hicks</i>	
			VERTICAL CURB, GUTTER AND SEPARATE WALK			SCALE N.T.S.	
1	8/6/2018	SURFACE REPAIR CLARIFICATIONS				DWG. No. 00-03-02	
No.	DATE	REVISION	DRAWN S. NUMEDAHL	DESIGNED N. MILLER	DATE OCT. 2014		