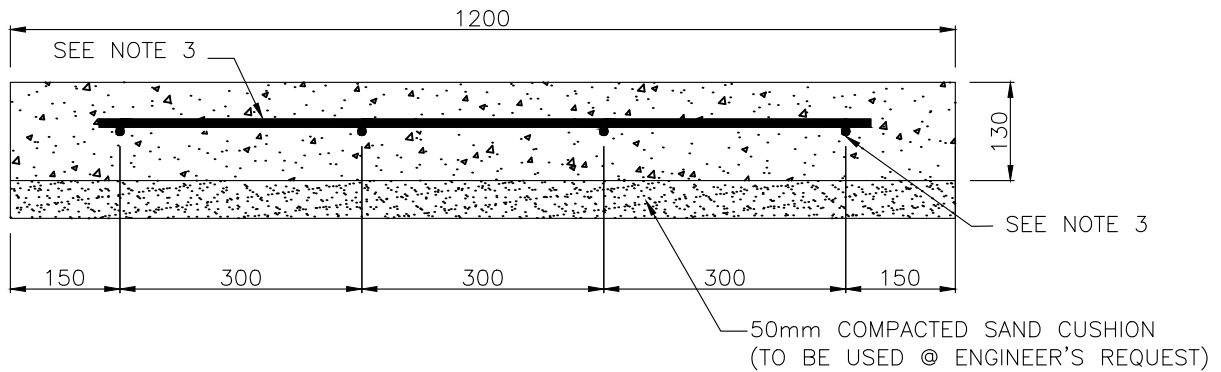
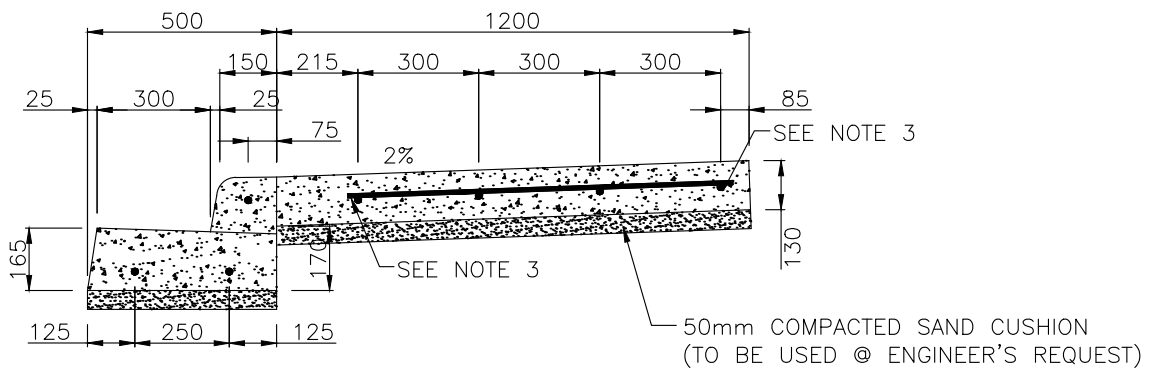


COMBINED ROLLED CURB, WALK & GUTTER



SEPARATE WALK



COMBINED WALK, CURB & GUTTER

NOTES

1. THE ENGINEER MAY REQUIRE THAT, PRIOR TO INSTALLING REINFORCING OVER BACKFILLED SERVICE CONNECTIONS, THE TRENCH BE WIDENED TO AN AREA 3m X 2m AND EXCAVATED TO A DEPTH OF 1m
2. MATERIAL TO BE REPLACED BY COMPACTION IN 150mm LIFTS @ 100% PROCTOR DENSITY
3. ALL REINFORCING BARS TO BE 10M MINIMUM

			CITY OF PRINCE ALBERT PUBLIC WORKS			APPROVED <i>Wes Hicks</i>
			REINFORCING REQUIREMENTS WHEN CROSSING BACKFILLED TRENCHES			SCALE N.T.S.
No.	DATE	REVISION	DRAWN S. NUMEDAHL	DESIGNED N. MILLER	DATE OCT. 2014	DWG. No. 00-03-07