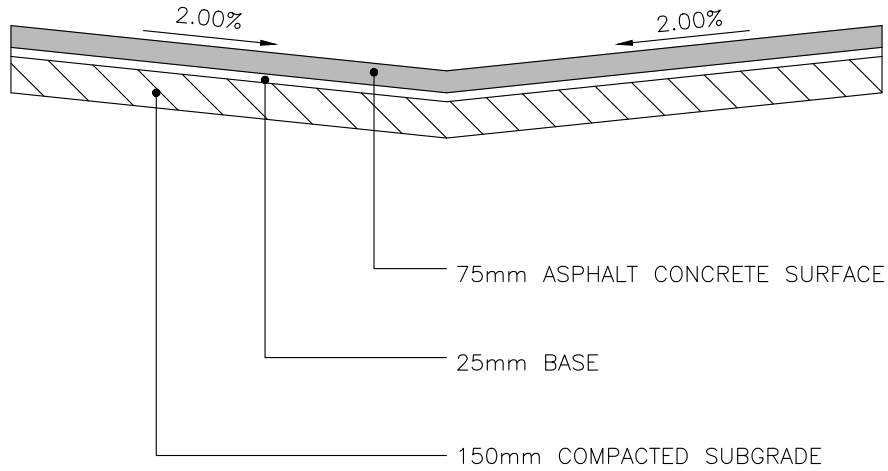
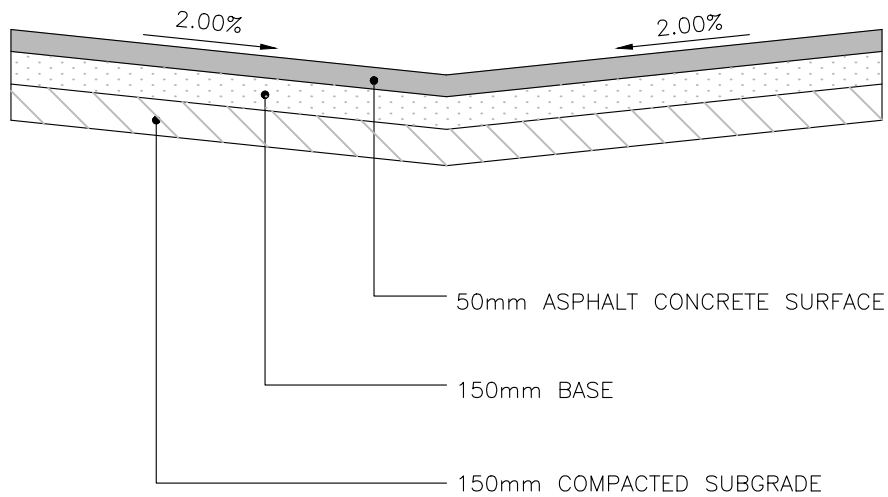


OPTION #1



OPTION #2



NOTES

1. OPTION #1 MAY ONLY BE USED IF THE LANE IS EXISTING AND THE STRUCTURE IS SUITABLE FOR PAVING
2. ALL MATERIALS TO COMPLY WITH CITY OF PRINCE ALBERT MASTER SPECIFICATIONS
3. ALL MATERIAL THICKNESSES ARE AFTER COMPACTION

			CITY OF PRINCE ALBERT PUBLIC WORKS		APPROVED <i>Wes Hicks</i>
			LANE PAVEMENT STRUCTURES		SCALE N.T.S.
1	13/6/2018	SURFACE REPAIR CLARIFICATIONS	DRAWN S. NUMEDAHL DESIGNED N. MILLER DATE OCT. 2014		DWG. No. 00-04-07
No.	DATE	REVISION			