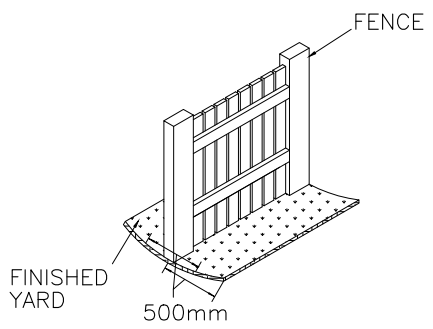
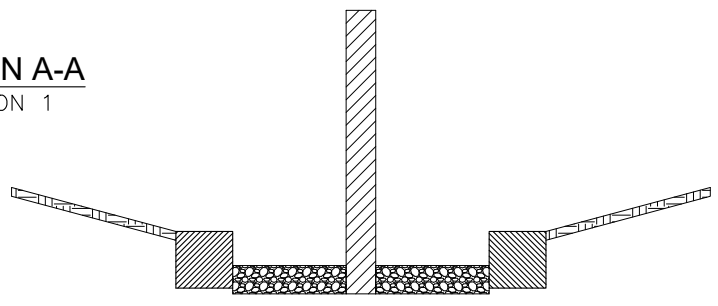
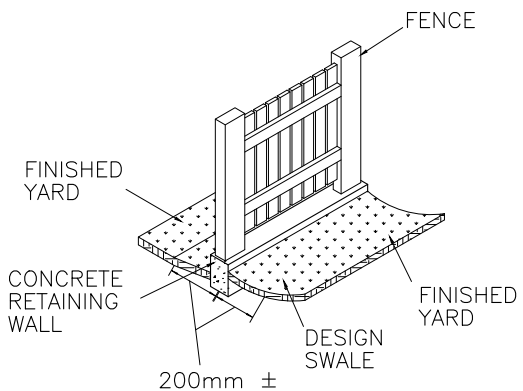
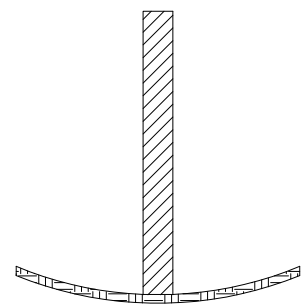


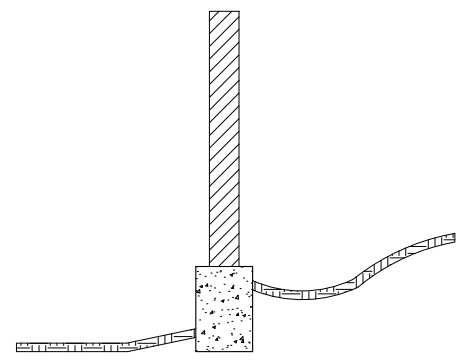
SECTION A-A
OPTION 1



SECTION A-A
OPTION 2



SECTION A-A
OPTION 3



NOTE

REAR GRADES ARE DESIGNED TO FLOW ALONG THE FENCE LINE
SEE LOT GRADE "PREGRADES" AND THE DIRECTION OF FLOW

			CITY OF PRINCE ALBERT		APPROVED
			PUBLIC WORKS		<i>Wes Hicks</i>
			EASEMENT GRADING		SCALE N.T.S.
No.	DATE	REVISION	DRAWN S. NUMEDAHL	DESIGNED N. MILLER	DWG. No. 00-06-01
			DATE OCT. 2014		